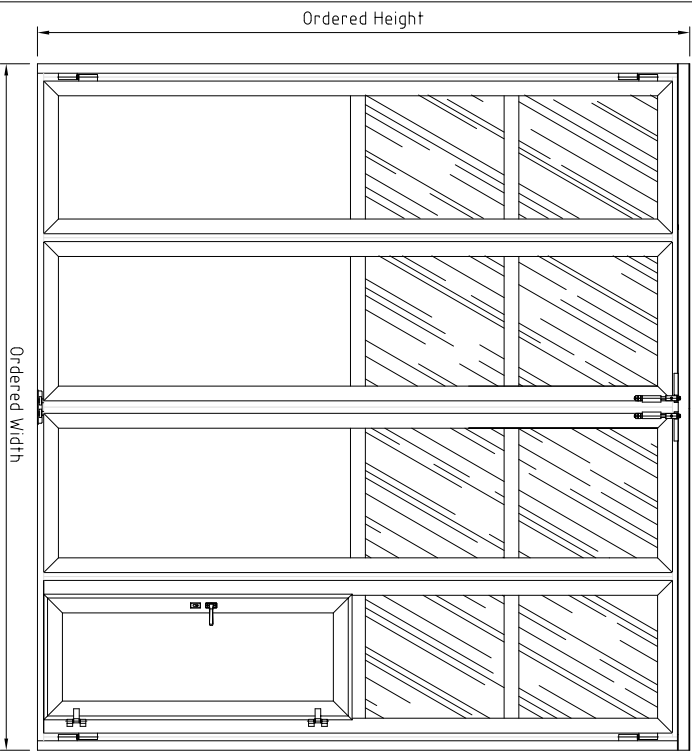
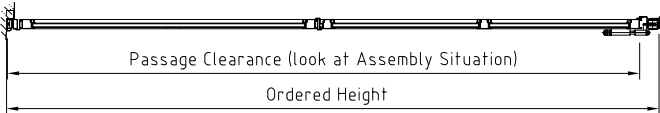


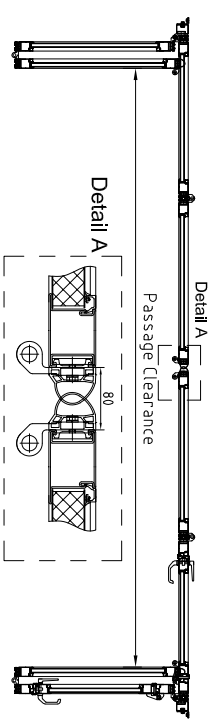
External View (Scale:1:50)



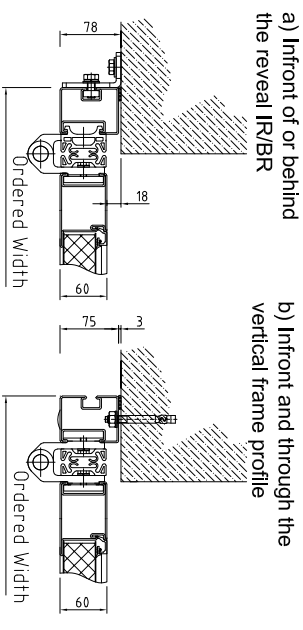
Vertical Cut (Scale:1:50)



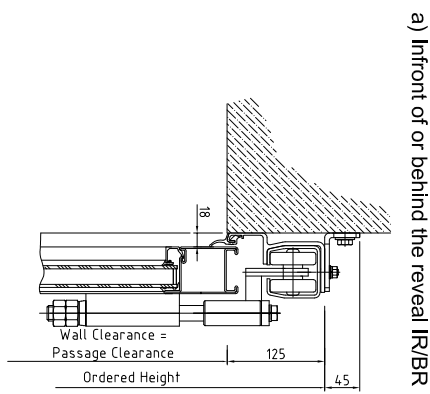
Horizontal Cut (Scale:1:50)



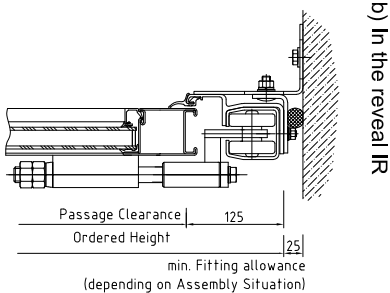
Assembly Situation (Scale:1:10)



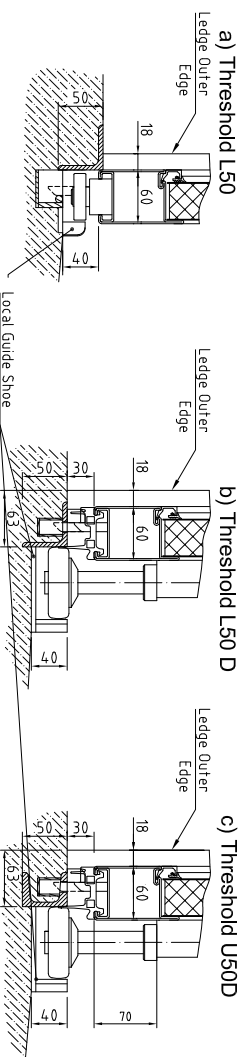
Assembly Situation on the Ledge (Scale:1:10)



b) In the reveal IR



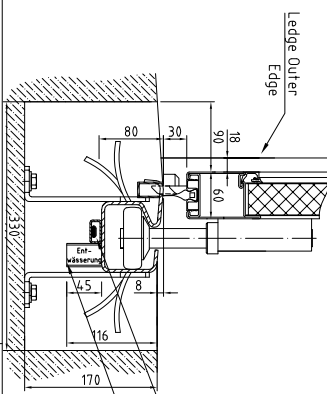
Bottom Details (Scale:1:10)



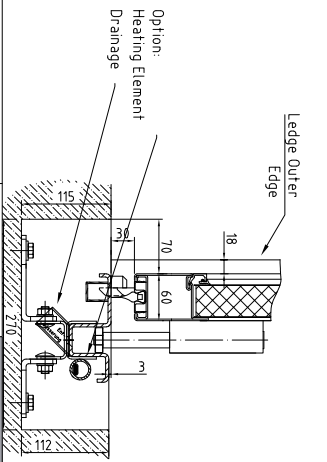
d) Thresholdless Latch Stop RA

e) Flat Steel Threshold S10D

f) Floorguide



g) Floorguide light NIRO



Architectural Sheet
ST602F

SCHNEIDER - Torssysteme GmbH,

A-4611 Buchkrohen, Kalzstraße 1

Dateiname: SCH_ARCHITEKTENBLATT_ST602F_2019_08

KR 05.08.2019

